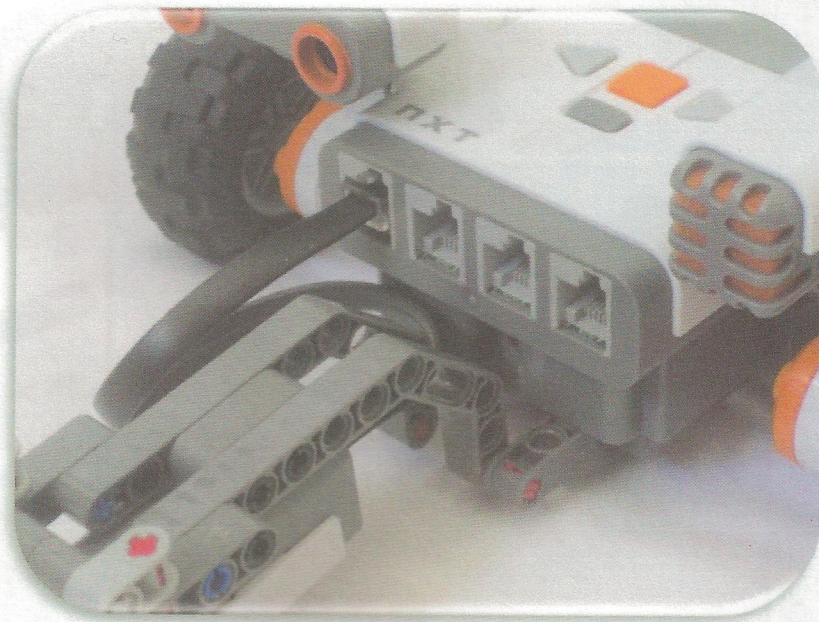
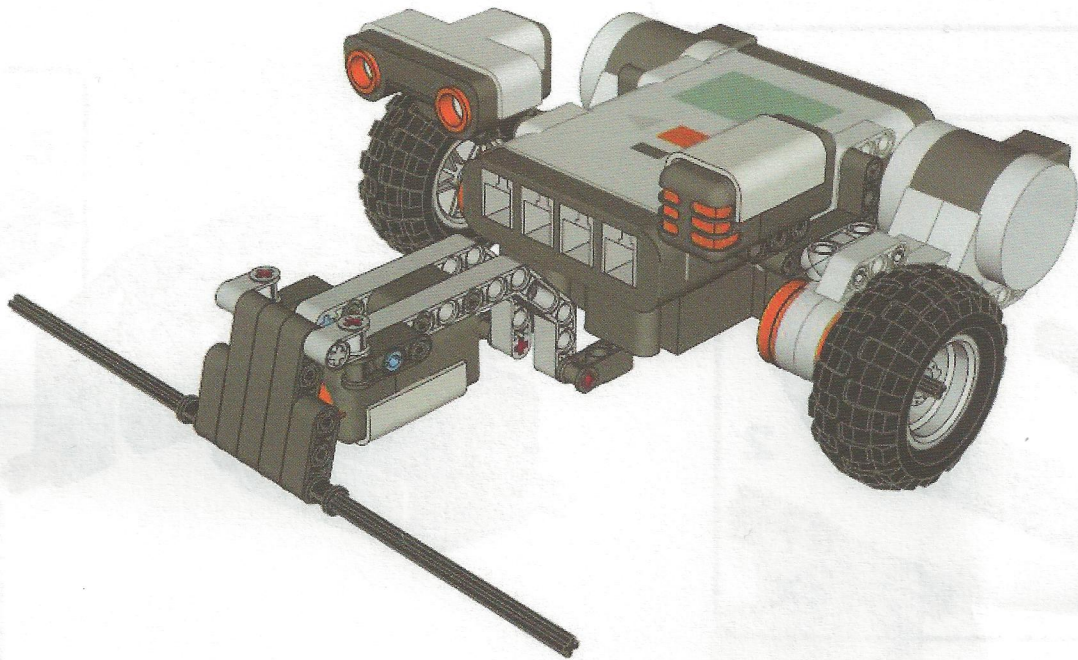
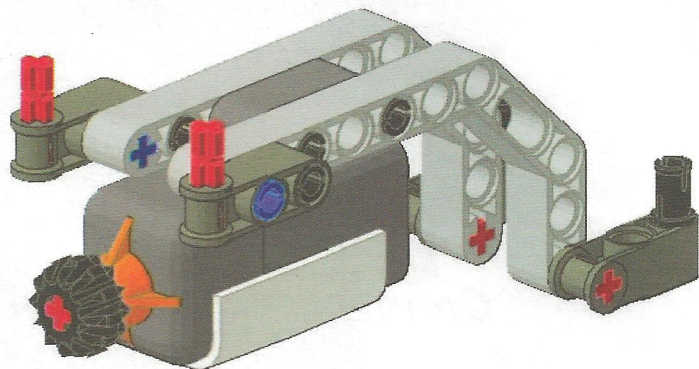
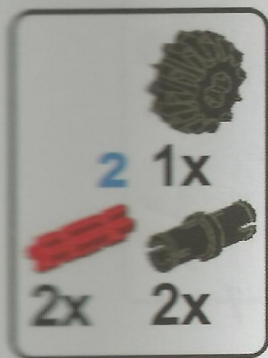
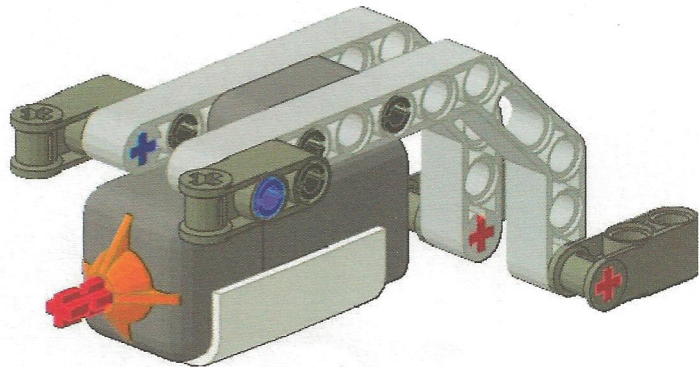
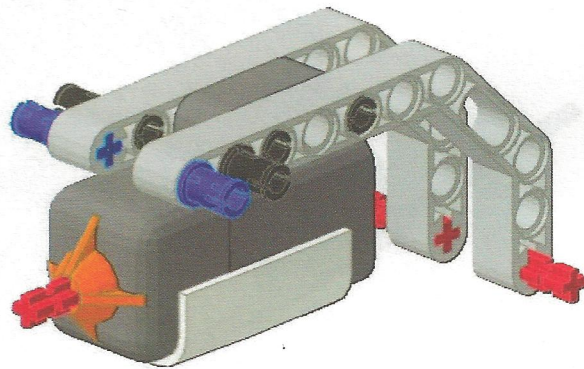
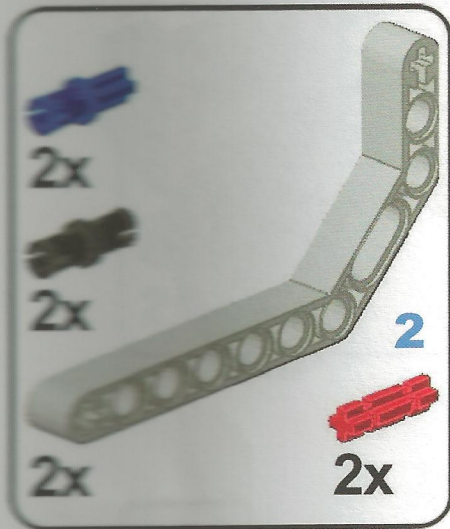
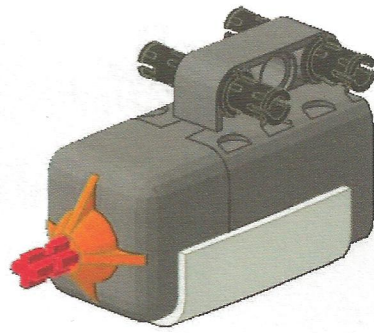
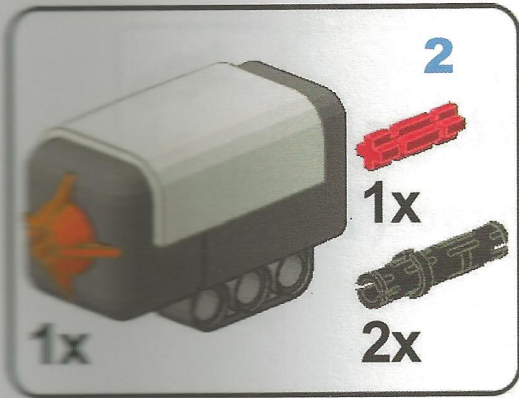
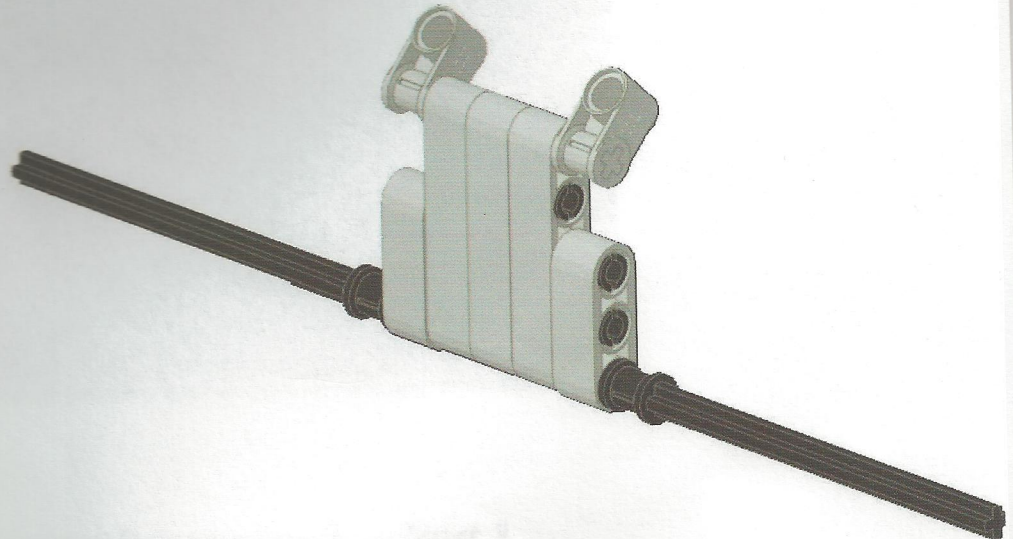
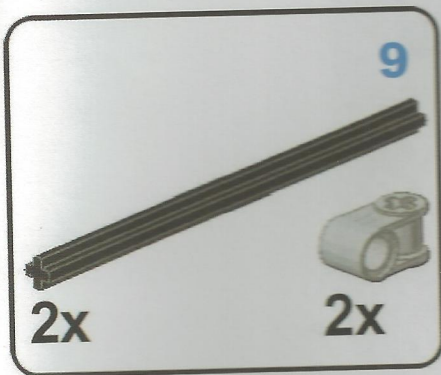
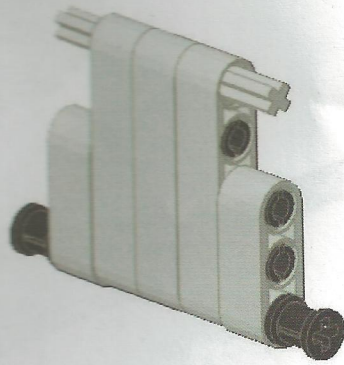
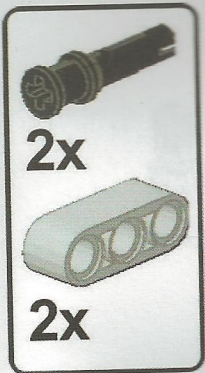
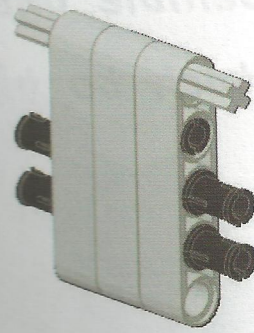
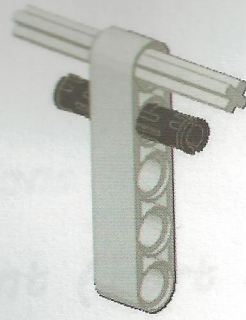
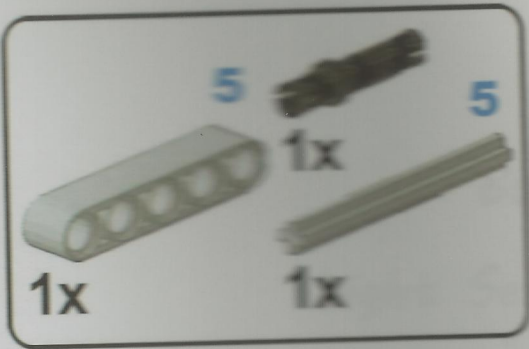


Building Instructions
Touch Sensor Attachment (Port 1)



Connect Sensor cable to Port 1





*Assemble the 2 sections together and
attach to the front of the DomaBot*

